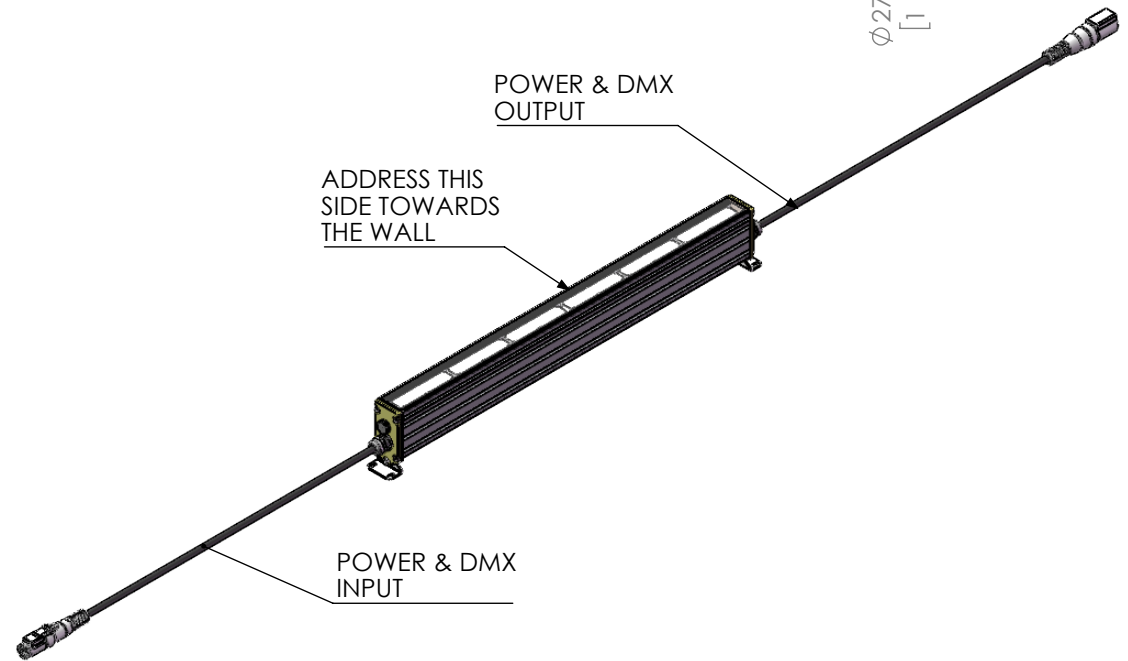
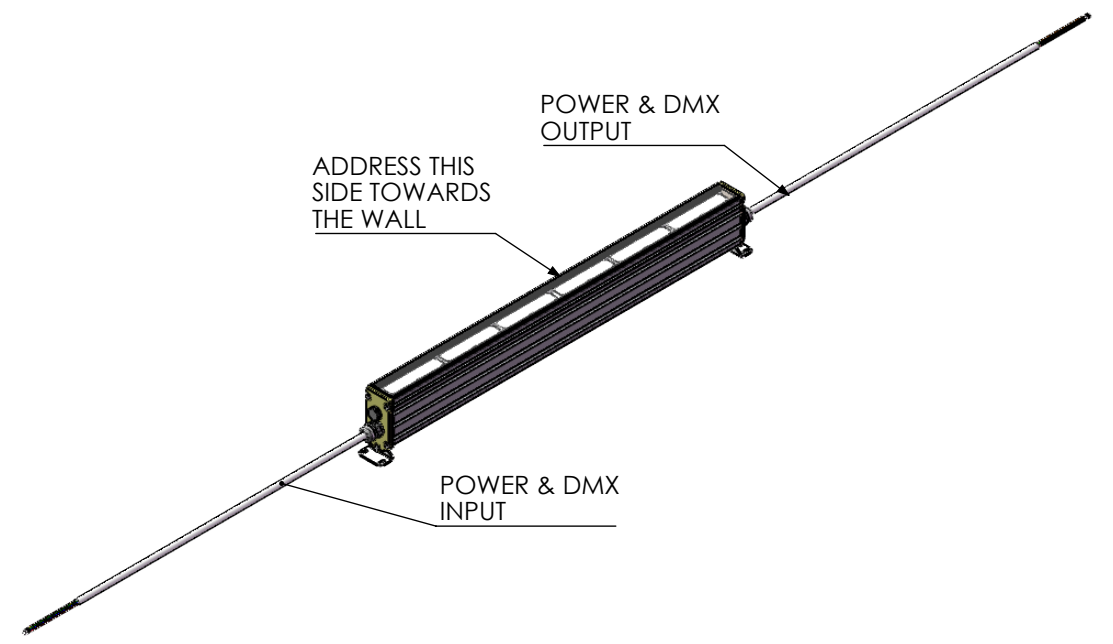
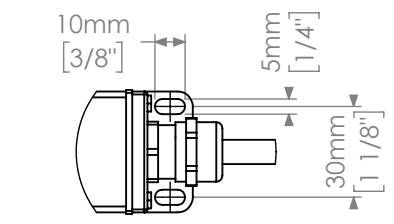
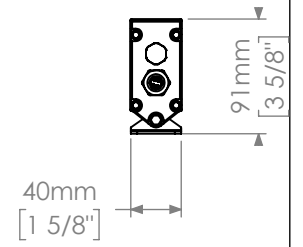
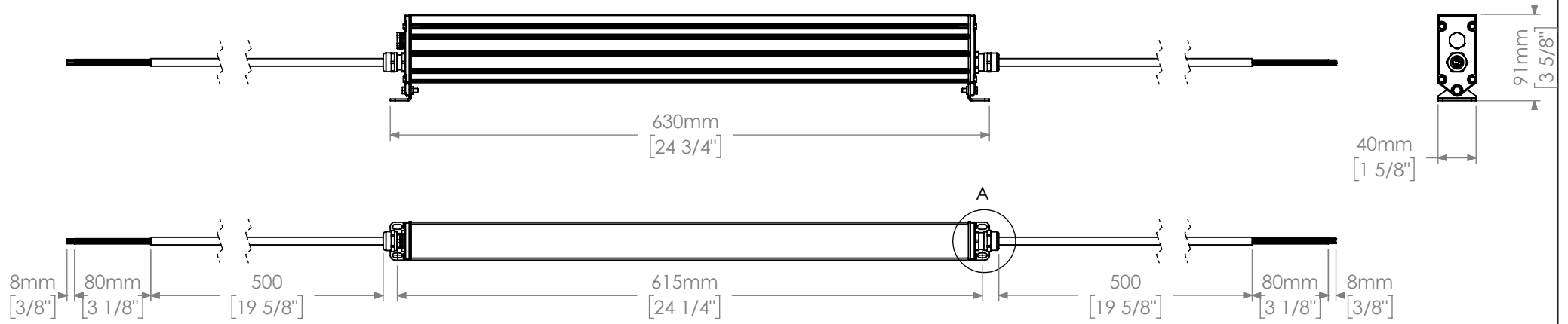


DETAGLIO B
SCALA 2 : 5



Description : MICROPARADE 24 - OPTION C				
Code : AL4363	Scale : 1:6			SHEET 1 OF 2
Revision : 04	DIMENSIONS ARE IN MILLIMETERS [BRACKETED DIMENSIONS ARE IN INCHES]			



Description : MICROPARADE 24 - OPTION M			http://www.griven.com	
Code : AL4363	Scale : 1:6			SHEET 2 OF 2
Revision : 04	DIMENSIONS ARE IN MILLIMETERS [BRACKETED DIMENSIONS ARE IN INCHES]			